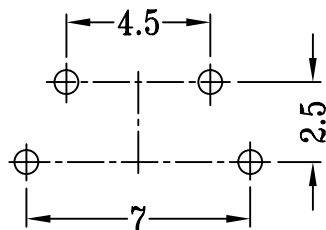
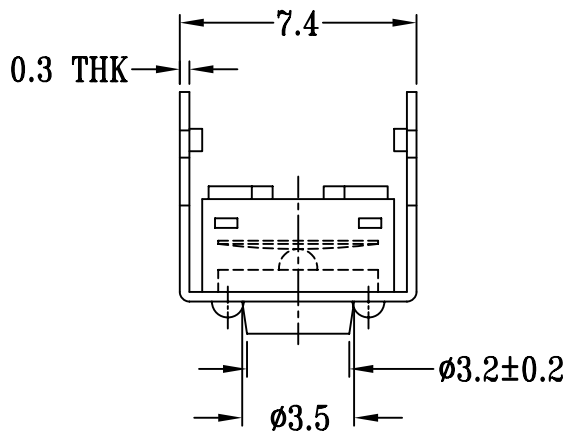
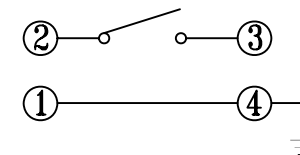


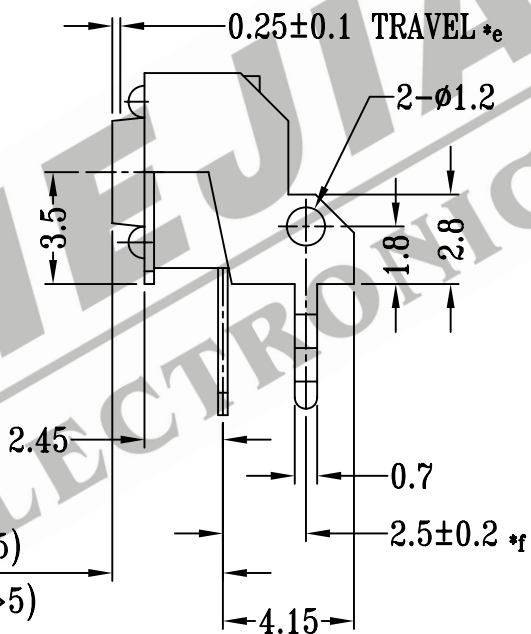
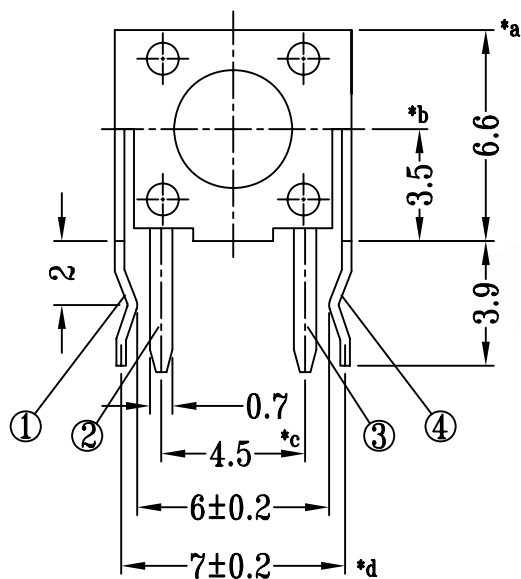
CAD FILE:



P.C.B LAYOUT



SCHEMATIC



$$\frac{X^{+0.15}}{X^{-0.05}} (X \leq 5)$$

$$X \pm 0.2 (X > 5)$$

TC0249	TC0110 KNOB	12.55
TC0248	TC0101 KNOB	3.05
TCA247	TCA107 KNOB	7.85
TC0247	TC0107 KNOB	7.35
TC0246	TC0105 KNOB	6.15
TCA245	TCA109 KNOB	11.85
TC0245	TC0109 KNOB	11.35
TC0244	TC0106 KNOB	6.85
TC0243	TC0108 KNOB	8.35
TC0242	TC0104 KNOB	5.85
TC0241	TC0103 KNOB	3.85
TC0240	TC0102 KNOB	3.15
MODEL NO.	KNOB	X

注:带"*"表示关键尺寸(6个)

NO.	PARTS	MATERIALS	Q'TY	FINISH	TOLERANCE UNLESS SPECIFIED	SHENZHEN XIEJIA ELECTRONICS CO.,LTD.				
8					WITHIN: 1.5±0.1mm OVER: 1.5±0.2mm	ISSUE	DATE	DESCRIPTIONS OF REVISION		APPD.
7										
6					TITLE : TACT SWITCH MODEL: TC-0240~0249 ALL MATERIALS MUST BE COMPLIANT TO ROHS	UNIT : mm	SCALE: 4:1	DRWG NO.: XJ-DR-TC0240-00		DWN. ZHOUYU 2003-5-17 CHK'D FANGYING 2003-5-17 APPD. KANGXINAN 2003-5-17
5										
4	COVER	ZINC PLATE	1	Sn PLATED						
3	CONTACT	BRASS STRIP	1	Ag CLAD						
2	CASE	NYLON	1	BLACK/Ag PLATED						
1	KNOB	POM/NYLON	1	SEE KNOB CHART						